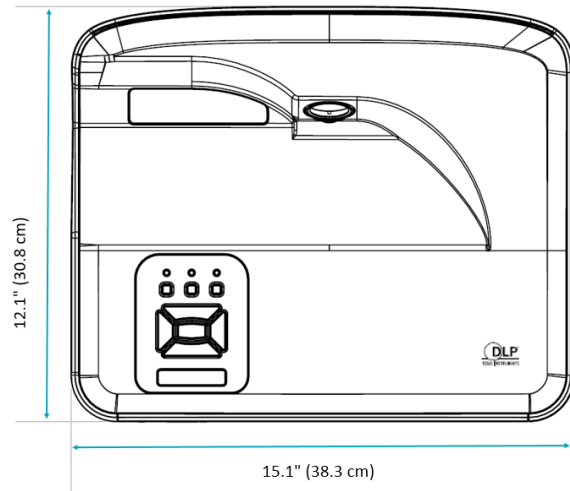
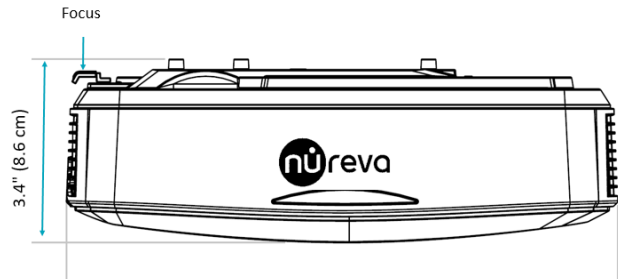


Interactive Projector

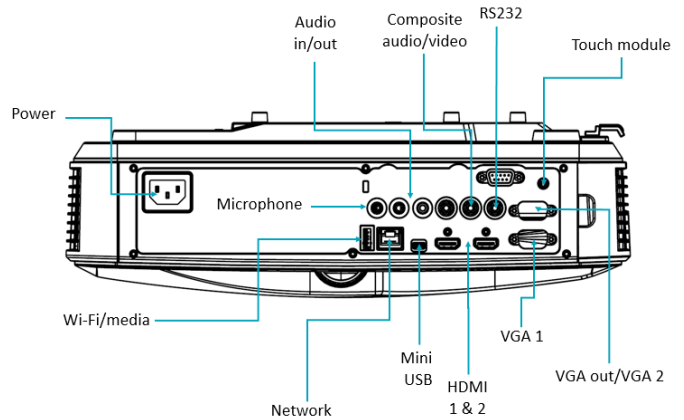
| Projector details | | |
|--|---|--------------------------|
| Projector type | WM210i | WM307i |
| Resolution | 1920 x 720 | 1920 x 1080 |
| Aspect ratio | 16:6 | 16:9 |
| Image size | 10' 2" x 46" (3.10 m x 1.17 m) | 7' x 47" (2.13 x 1.20 m) |
| Brightness | 3000 ANSI lumens | 3300 ANSI lumens |
| Light source | Solid state: blue-laser diodes | |
| Throw ratio | 0.25 | |
| Brightness uniformity | 80% (JBMA) | |
| Contrast | 1800:1 (native)/10,000:1 (APM) | |
| Digital micromirror device (DMD) | TI 0.65" 1080p S600 | |
| Speaker | 10W | |
| Dimensions (Width x depth x height) | 15.1" x 12.1" x 3.4" (38.3 x 30.8 x 8.6 cm) | |
| Net weight | 15.2 lb. (6.9 kg) | |
| Shipping dimensions (Width x depth x height) | 20.4" x 16.5" x 12.9" (51.8 x 42.0 x 32.8 cm) | |
| Shipping gross weight | 18.5 lb. (8.4 kg) | |



| Projector input/output connections | |
|------------------------------------|---|
| Input I/O | VGA In x 1 |
| | Audio In 3.5 mm jack (blue) x 1 |
| | Composite video x 1 |
| | Composite audio In: RCA-left (white) x1/RCA-right (red) x 1 |
| | HDMI x 2 (support for MHL 2.0 on HDMI 2) |
| | Microphone 3.5 mm jack (pink) x 1 |
| | RS-232C (DB9 female: 9600bps) x 1 |
| | Mini USB x 1 |
| Output I/O | VGA Out/VGA 2 |
| | Audio out 3.5 mm jack (green) x 1 |
| Power | AC power IEC-C14, 110/220 V |
| Cabling | Power cord, IEC60320-C13 to NA, 14.8' (4.5 m), white USB cable, USB-B Mini to USB-A, 6' (2 m), black |
| Multimedia control | RJ45 X1 (Fast Ethernet 100Base-T) |
| | USB-A x 1 |
| Touch module | Laser curtain jack x 1 |



| Certification and operating | |
|-------------------------------|--|
| Power consumption | 335W (typical); 225W (ECO) |
| Standby power | Idle without LAN wakeup: <0.5W |
| Electromagnetic compatibility | FCC, CE, CB |
| Safety | TUV, cUL, RCM, FDA |
| Rating | Universal switching 100 – 240V AC, 50 – 60HZ, 3.5A |
| Noise level | Full-mode: 36dBA (typical)/38 dBA (maximum) |
| | ECO mode: 32dBA (typical)/35 dBA (maximum) |
| System temperature/humidity | Operating: 5°C to 40°C/5% – 90% (noncondensing) |
| | Storage: 0°C to 60°C/5% – 95% (noncondensing) |
| | Shipping: -20°C to 60°C/5% – 95% (noncondensing) |
| Thermal protection | Auto ECO: Ambient temperature exceeds 40°C |
| | Auto-shutdown: Ambient temperature exceeds 47°C |
| Environment | RoHS, WEEE, REACH |



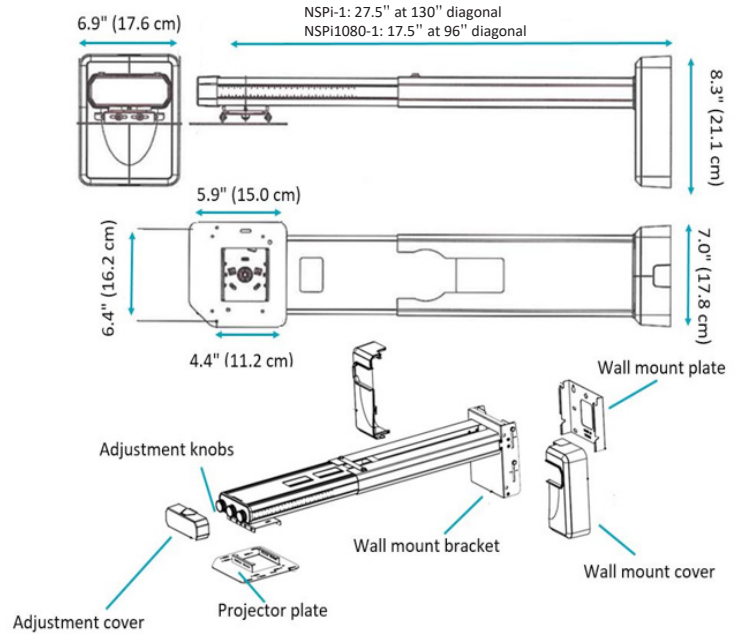
Adjustable wall mount

Wall mount details

| | |
|---|--|
| Material | Steel + aluminum + plastic |
| Adjustment knob | Pitch/Roll/Yaw +/- 10° |
| Maximum weight supported | 33 lb. (15 kg) |
| Wall-mount tilt | +/- 5° |
| Projector tilt | +/- 10° |
| Horizontal adjustment | 2.3" (6 cm) |
| Depth adjustment range | Max. 29.3", Min. 16.7" (Max. 74.4 cm, Min. 42.4 cm) |
| Dimensions (Width x height) | 6.9" x 8.3" (17.6 x 21.1 cm) |
| Net weight | 8.8 lb. (4.0 kg) |
| Shipping dimensions (Width x depth x height) | 21.1" x 11.8" x 7.5" (53.7 x 30.0 x 19.0 cm) |
| Shipping gross weight | 10.6 lb. (4.8 kg) |

Certification

| | |
|-----------|----------------------|
| Load test | CE/EN60950 compliant |
|-----------|----------------------|



Touch module

Touch module details

| | |
|---------------------------------------|--|
| Image size support | WM210i - 130" (3.3 m) WM307i - 96" (2.44 m) |
| Touch points | Up to 10 multitouch points |
| Calibration | Auto calibration or manual 9-point calibration |
| OS support | Windows® 8.1 and up |
| Driver | Human interface device (HID) |
| Cabling | Power cord 6.6' (2.0 m) |
| Dimension (Width x depth x height) | 5.8" x 1.5" x 1.9" (14.7 x 3.8 x 4.8 cm) |
| Net weight | 0.5 lb. (0.2 kg) |
| Shipping dimensions and gross weight | N/A – included with projector |

Touch module specifications

| | |
|------------------------------------|-------------------------------|
| Laser diode | IR laser 825nm x1 |
| Distance of touch curtain to image | Between 1.5" – 4" (4 – 10 cm) |
| Alignment | Visible red lasers x 2 |
| Wall flatness | <1/4" (5 mm) |

Certification

| | |
|--------------|------------|
| Laser safety | UL Class 1 |
|--------------|------------|

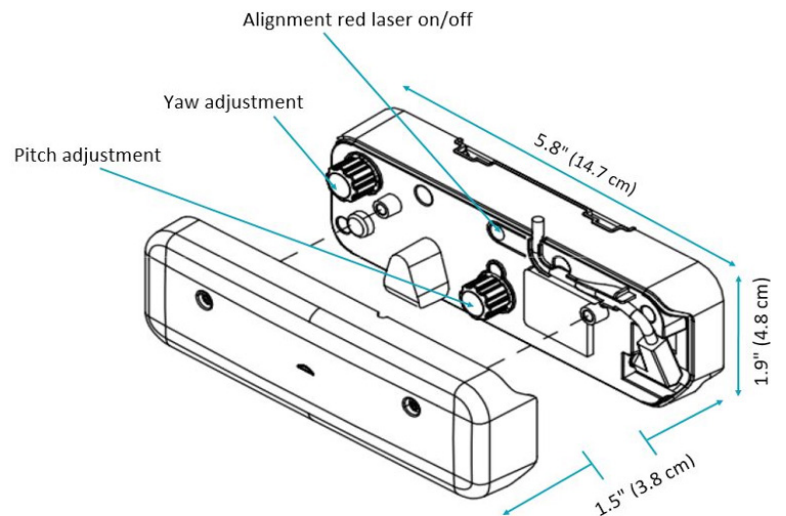


Image alignment module

Image alignment module details

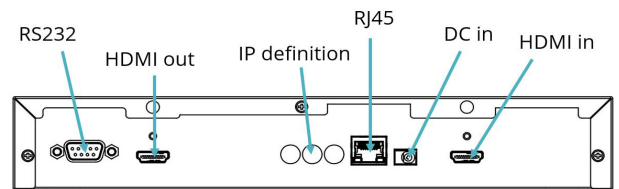
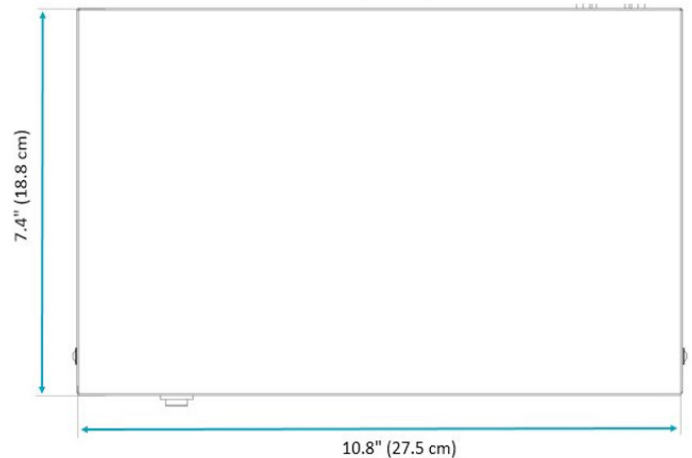
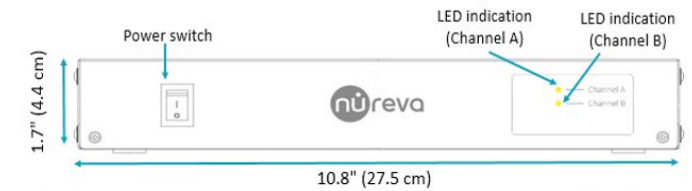
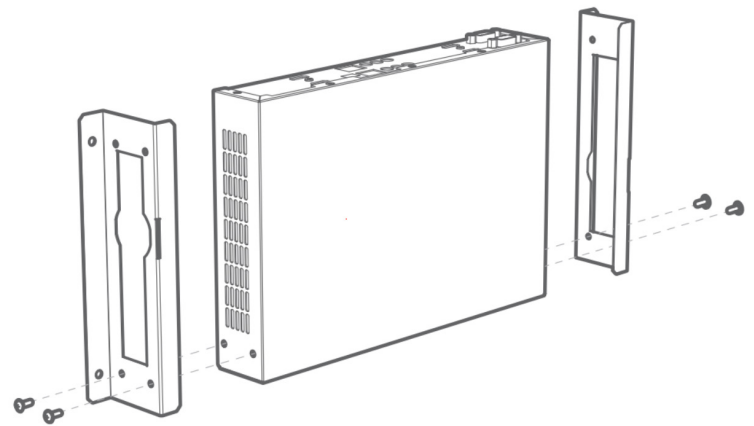
| | |
|---|--|
| Channel synchronization | Independent |
| Grid point distortion (Corner, barrel, pincushion) | 3 x 3, accessed via Span center |
| Image alignment discretion | 1 pixel |
| Dimensions (Width x depth x height) | 10.8" x 7.4" x 1.7" (27.5 x 18.8 x 4.4 cm) |
| Net weight | 3.0 lb. (1.4 kg) |
| Shipping dimensions (Width x depth x height) | 13.4" x 6" x 10.8" (34.1 x 15.3 x 27.5 cm) |
| Shipping weight | 5.7 lb. (2.3 kg) |

Input/output connections

| | |
|-----------------------|---|
| Input I/O | HDMI |
| | Control port RJ45 |
| | Debug port RS232 |
| | IP definition xxx switch (192.168.0.xxx); rotary switch control |
| Output I/O | HDMI |
| Power | DC power port, 19 V |
| Rotary switch control | Last digit of IP address 192.168.0.xxx |
| LAN control | 100 BaseT |
| RS232 Message out | Baud rate 115,200 |
| Cabling | Power cord, IEC60320-C5 to NA, 1 m, black |
| | Format: Linear PCM (IEC60958) |
| | Sampling rate: 32K/441.K/48K Hz Sample size: 16/20/24 bits |
| Audio pass-through | Interface: HDMI in, HDMI out |
| | Default resolution: 1920 x 720 |
| | Output resolution: 1920 x 720 60Hz (Default) 1920 x 1080 60Hz |
| | HDMI Spec: 1.3 HDCP Spec: 1.1 |

Certification and operating

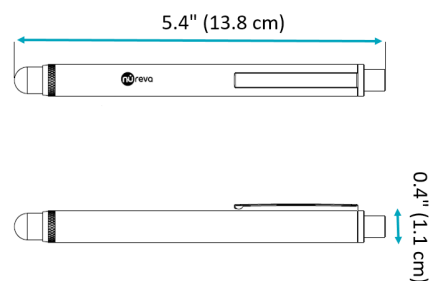
| | |
|-------------------------------|--|
| Power consumption | 40W (typical) including power adapter consumption |
| Electromagnetic compatibility | FCC, CE EMC |
| Safety | UL/cUL (UL 60950-1 and CAN/CSA C22.2) |
| Rating | Universal switching 100 – 240V AC, 50 – 60Hz, 1.7A; DC out 19V 3.4A (65W adapter) |
| Noise level | Full-mode: 30 dBA (typical)/33 dBA (maximum) |
| System temperature/humidity | Operating: 0°C to 40°C/5°C to 40°C, 80% RH (noncondensing) |
| | Storage: -20°C to 60°C/80% RH (noncondensing) |



Stylus

Stylus details

| | |
|--------------------------------------|---|
| Image size support | WM210i - 130" (3.3 m) WM307i - 96" (2.44 m) |
| Pen tip | Replaceable polyethylene nib |
| Batteries | Not required |
| Dimension (Length x diameter) | 5.4" x 0.4" (13.8 x 1.1 cm) |
| Net weight | 0.7 oz (20 g) |
| Shipping dimensions and gross weight | N/A – included with projector |



Nureva Span system

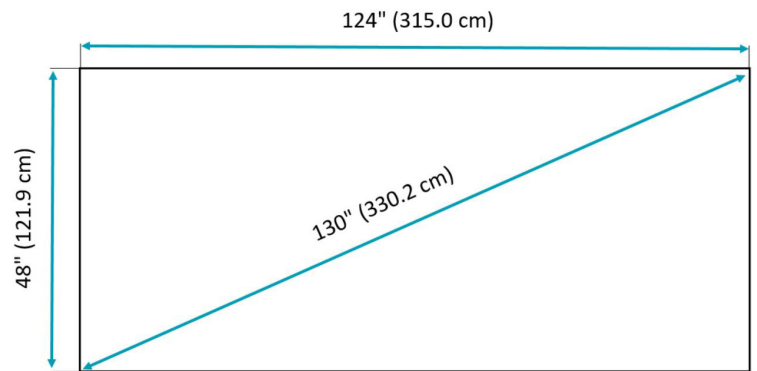
Accessory specifications

WhisperTek™ surface

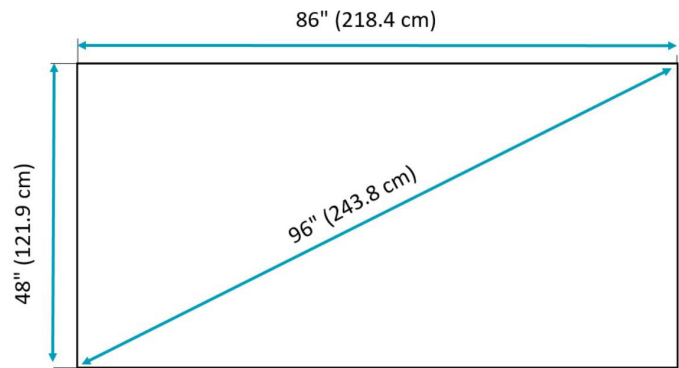
| WhisperTek details | | |
|---|--|--|
| | NSUR/NSUR 2 | NSUR HD |
| Dimensions (Width x depth x height) | 124" x 1/4" x 48" (315.0 x 0.3 x 121.9 cm) | 86" x 1/4" x 48" (218.4 x 0.3 x 121.9 cm) |
| Application | Suitable for all smooth, painted surfaces that meet the touch module wall flatness requirement | |
| Material – front | High-pressure laminate | |
| Material – back | Double coated polyethylene foam with acrylic adhesive | |
| Laminate construction | Flexible roll | |
| Color | Opaque white | |
| Finish | Projection-friendly matte finish | |
| Net weight – single | 11 lb. (5 kg) | |
| Shipping dimensions (Width x depth x height) | 20" x 20" x 50" (50.8 x 50.8 x 127.0 cm) | |
| Shipping gross weight | NSUR1-1 (single): 18.0 lb. (8 kg) | |
| | NSUR2-1 (dual): 29.0 lb. (13 kg) | |

| Operating | |
|-----------------------------|--|
| System temperature/humidity | Operating: 5°C to 35°C/5% – 90% (noncondensing) |
| | Storage: 0°C to 60°C/5% – 95% (noncondensing) |
| | Shipping: -20°C to 60°C/5% – 95% (noncondensing) |
| | Application: 20°C to 35°C |
| Care and maintenance | Clean with mild soap and water solution |

| Standards | |
|--------------|--|
| Reflectivity | Excellent; 10 gloss units per ASTM D 535 |
| Durability | Meets or exceeds ANSI/NEMA-LD3-2005 |



For WM210i



For WM307i